

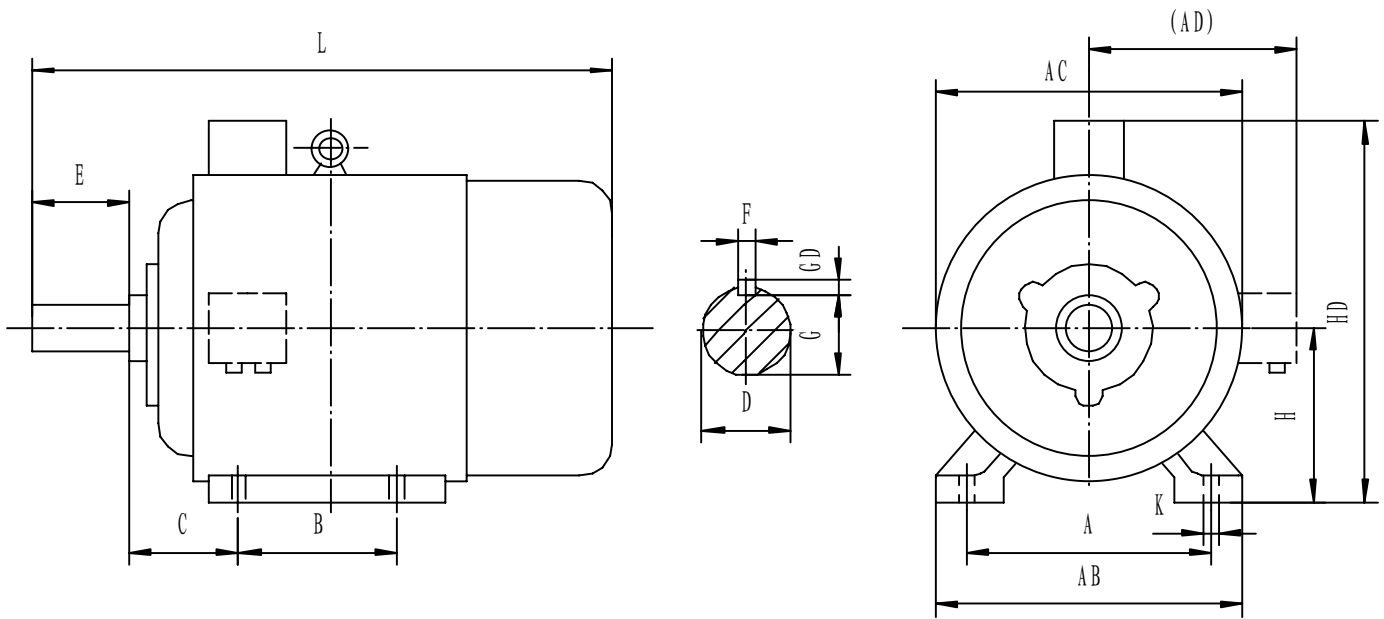
Y2 Series (IP54)
Main Specifications & Technical Data

Type	Rated Power (kw)	Full Load				Stall Current Rated Current	Stall Torque Rated Torque	Max. Torque Rated Torque	Min. Torque Rated Torque
		Speed (r/min)	Rated Current (A)	Eff. (%)	Power Factor (cos Φ)				
Y2-80M1-2	0.75	2845	1.83	75.0	0.83	6.1	2.2	1.5	
Y2-80M2-2	1.1	2840	2.58	77.0	0.84	7.0			
Y2-90S-2	1.5		3.43	79.0					
Y2-90L-2	2.2		4.85	81.0				0.85	
Y2-100L-2	3	2860	6.31	83.0	0.87	7.5		1.4	
Y2-112M-2	4	2880	8.12	85.0	0.88				
Y2-132S1-2	5.5	2900	11.0	86.0					
Y2-132S2-2	7.5		14.9	87.0					
Y2-160M1-2	11	2930	21.3	88.0	0.89				
Y2-160M2-2	15		28.8	89.0					
Y2-160L-2	18.5		34.7	90.0					
Y2-180M-2	22	2940	41.3		0.90				
Y2-200L1-2	30	2950	55.5	91.2					
Y2-200L2-2	37		67.9	92.0					
Y2-225M-2	45	2970	82.3	92.3					
Y2-250M-2	55	2965	100	92.5					
Y2-280S-2	75	2970	136	93.0					
Y2-280M-2	90		160	93.8					
Y2-315S-2	110	2975	195	94.0		0.91			
Y2-315M-2	132		233	94.5					
Y2-315L1-2	160		279	94.6		0.92			
Y2-315L2-2	200		348	94.8					
Y2-355M-2	250	2980	433	95.3					
Y2-355L-2	315		544	95.6					
Y2-80M1-4	0.55	1390	1.57	71.0	0.75	5.2	2.3	1.7	
Y2-80M2-4	0.75	1380	2.05	73.0	0.76	6.0			
Y2-90S-4	1.1	1390	2.89	75.0	0.77				
Y2-90L-4	1.5		3.70	78.0	0.79				
Y2-100L1-4	2.2	1410	5.16	80.0	0.81	7.0			
Y2-100L2-4	3		6.78	82.0	0.82				
Y2-112M-4	4	1435	8.82	84.0					
Y2-132S-4	5.5	1440	11.8	85.0	0.83				
Y2-132M-4	7.5		15.6	87.0	0.84				
Y2-160M-4	11	1460	22.6	88.0					
Y2-160L-4	15		30.1	89.0	0.85				
Y2-180M-4	18.5	1470	36.1	90.5	0.86	7.5		2.2	
Y2180L-4	22		42.7	91.0					
Y2-200L-4	30		57.6	92.0		7.2			

Type	Rated Power (kw)	Full Load				Stall Current Rated Current	Stall Torque Rated Torque	Max. Torque Rated Torque	Min. Torque Rated Torque
		Speed (r/min)	Rated Current (A)	Eff. (%)	Power Factor (cos Φ)				
Y2-225S-4	37	1480	69.9	92.5	0.87	7.2	2.2	2.3	1.2
Y2-225M-4	45		84.7	92.8					1.1
Y2-250M-4	55		103	93.0					
Y2-280S-4	75		140	93.8	0.88	6.9	2.1	2.2	1.0
Y2-280M-4	90		167	94.2					
Y2-315S-4	110		201	94.5					
Y2-315M-4	132		240	94.8	0.89	6.9	2.1	2.2	0.9
Y2-315L1-4	160		288	94.9					
Y2-315L2-4	200		359	95.0					
Y2-355M2-4	250	1490	443	95.3	0.90	6.9	2.1	2.2	0.9
Y2-355L2-4	315		556	95.6					0.8
Y2-80M1-6	0.37	885	1.30	62.0	0.70	4.7	1.9	2.0	1.5
Y2-80M2-6	0.55		1.79	65.0	0.72				
Y2-90S-6	0.75	910	2.3	69.0	0.72	5.5	2.0	2.1	1.3
Y2-90L-6	1.1		3.18	72.0	0.73				
Y2-100L-6	1.5	920	4.0	76.0	0.75	6.5	2.1	2.1	1.2
Y2-112M-6	2.2	935	5.57	79.0	0.76				
Y2-132S-6	3	960	7.40	81.0	0.77	6.5	2.1	2.1	1.2
Y2-132M1-6	4		9.75	82.0					
Y2-132M2-6	5.5		12.92	84.0					
Y2-160M-6	7.5	970	17.21	86.0	0.78	7.0	2.1	2.1	1.1
Y2-160L-6	11		24.5	87.5					
Y2-180L-6	15		31.6	89.0	0.81				
Y2-200L1-6	18.5	980	38.6	90.0	0.83	7.0	2.1	2.1	1.0
Y2-200L2-6	22		44.7	90.0					
Y2-225M-6	30		59.3	91.5					
Y2-250M-6	37		71.1	92.0	0.86				
Y2-280S-6	45		85.9	92.5					
Y2-280M-6	55		105	92.8					
Y2-315S-6	75	990	142	93.5	0.87	6.7	2.0	2.0	1.0
Y2-315M-6	90		170	93.8					
Y2-315L1-6	110		207	94.0					
Y2-315L2-6	132		245	94.2	0.88				
Y2-355M1-6	160		292	94.5					
Y2-355M2-6	200		365	94.9					
Y2-355L-6	250	455	94.9	0.61	3.3	1.8	1.9	1.3	
Y2-80M1-8	0.18	0.88	51.0						
Y2-80M2-8	0.25	645	1.15	54.0					

Type	Rated Power (kw)	Full Load				Stall Current Rated Current	Stall Torque Rated Torque	Max. Torque Rated Torque	Min. Torque		
		Speed (r/min)	Rated Current (A)	Eff. (%)	Power Factor (cos Φ)				Rated Torque		
Y2-90S-8	0.37	680	1.49	62.0	0.61	4.0	1.8	1.9	1.3		
Y2-90L-8	0.55		2.17	63.0							
Y2-100L-8	0.75	690	2.4	71.0	0.67					5.0	1.8
Y2-100L2-8	1.1		3.32	73.0							
Y2-112M-8	1.5		4.4	75.0							
Y2-132S-8	2.2	705	6.04	78.0	0.71	6.0	1.9	2.0	1.2		
Y2-132M-8	3		7.9	79.0							
Y2-160M1-8	4	720	10.3	81.0	0.73					2.0	2.0
Y2-160M2-8	5.5		13.6	83.0							
Y2-160L-8	7.5		17.8	85.5							
Y2-180L-8	11	730	25.1	87.5	0.76	6.6	1.9	2.0	1.1		
Y2-200L-8	15		34.1	88.0							
Y2-225S-8	18.5		41.1	90.0							
Y2-225M-8	22	740	47.4	90.5	0.78	6.4	1.8	1.0			
Y2-250M-8	30	735	63.4	91.0	0.79				1.9	2.0	
Y2-280S-8	37		77.8	91.5							
Y2-280M-8	45		94	92.0							
Y2-315S-8	55	740	111	92.8	0.81	6.4	1.8	0.9			
Y2-315M-8	75		151	93.0							
Y2-315L1-8	90		178	93.8							
Y2-315L2-8	110	740	217	94.0	0.82	6.4	1.8	0.9			
Y2-355M1-8	132		261	93.7							
Y2-355M2-8	160		315	94.2							
Y2-355L2-8	200	740	387	94.5	0.83	6.2	1.5	2.0			
Y2-315S-10	45	590	99.6	91.5	0.75				6.2	1.5	0.8
Y2-315M-10	55		121	92.0							
Y2-315L1-10	75		162	92.5							
Y2-315L2-10	90	590	191	93.0	0.77	6.0	1.3	0.8			
Y2-355M1-10	110		230	93.2							
Y2-355M2-10	132		275	93.5							
Y2-355L-10	160	740	333	93.5	0.83	6.0	1.3	0.8			

Y2 (IMB3)

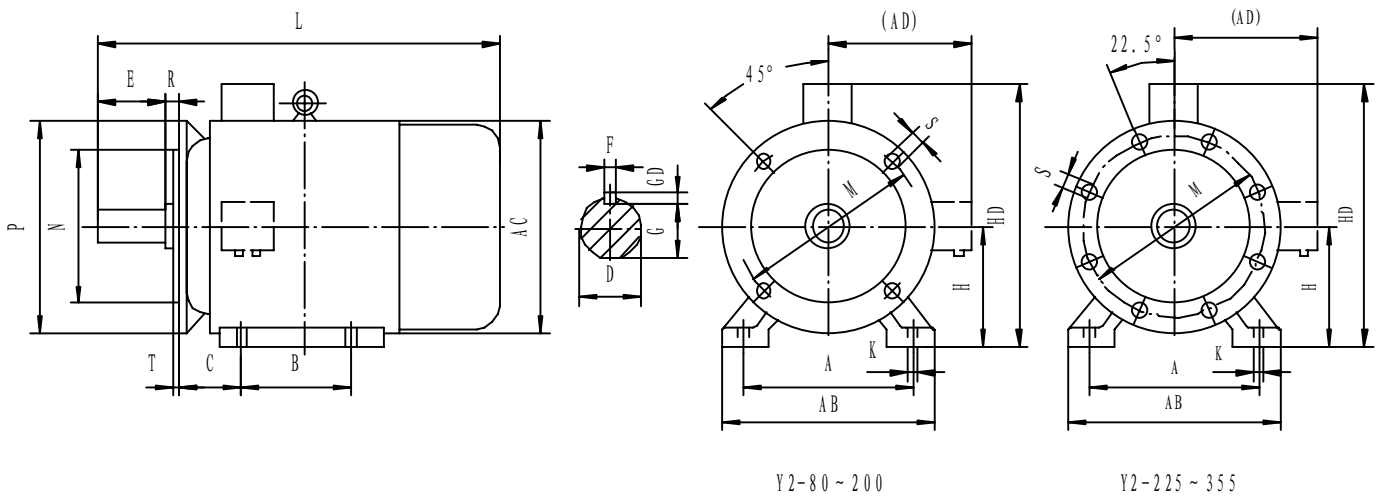


Mounting Type IMB3 Frame with feet, endshield without flange of motor (H80-160 Include B6, B7, B8, V5, V6)

Type	No. of poles	Dimensions (mm)														
		A	B	C	D	E	F×GD	G	H	K	AB	AC	AD	HD	L	
80	2. 4. 6. 8	125	100	50	19	40	6×6	15.5	80	10	165	175	145	220	295	
90S		140	100	56	24	50	8×7	20	90		12	180	195	155	250	320
90L			125									345				
100L		160	63	28	60	24				100		205	215	180	270	385
112M		190	70				300	400								
132S		216	140	89	38	80	10×8	33	132	15	270	275	210	345	470	
132M		178		510												
160M		254	210	108	42	110	12×8	37	160	19	320	330	255	420	615	
160L															254	670
180M			279	241	121		48	14×9	42.5	180	24	355	380	280	455	700
180L				279												740
200L		318	305	133	55	16×10	49	200	24	395	420	305	505	770		
225S	4. 8	356	286	149	60	140	18×11	53	225	19	435	470	335	560	815	
225M	2		311		55	110	16×10	49							820	
	4. 6. 8		60	140	53	845										
250M	2	406	349	168	65	18×11	58	250	24	490	510	370	615	910		
	4. 6. 8														280	550
280S	2	457	368	190	75	20×12	67.5	280	24	550	580	410	680	985		
	4. 6. 8															

280M	2	419	65	18×11	58	1035		
	4. 6. 8						75	20×12
315S	2	406	65	18×11	58	1160		
	4. 6. 8. 10		80	170	22×14	71	1270	
315M	2	508	216	65	140	18×11	58	1190
	4. 6. 8. 10			80	170	22×14	71	1300
315L	2	508	216	65	140	18×11	58	1190
	4. 6. 8. 10			80	170	22×14	71	1300
355M	2	610	254	75	140	20×12	67.5	1500
	4. 6. 8. 10			95	170	25×14	86	1530
355L	2	630	254	75	140	20×12	67.5	1500
	4. 6. 8. 10			95	170	25×14	86	1530

Y2 (IMB35)

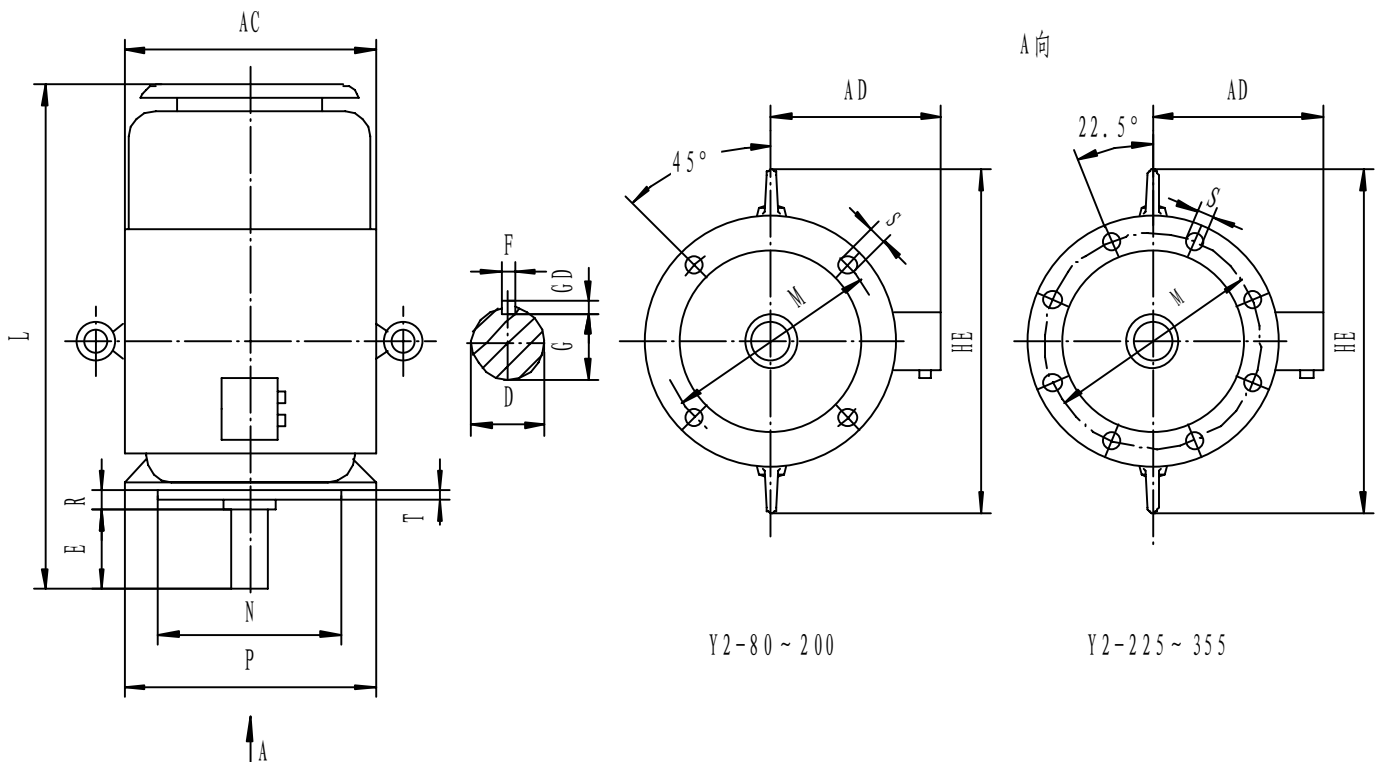


Mounting Type IMB35 Frame with feet, endshield with flange motor (H80-160 Include V15, V36)

Type	No. of Poles	Dimensions (mm)																					
		A	B	C	D	E	F×GD	G	H	K	AB	AC	M	N	P	R	T	S	HD	AD	L		
80	2. 4. 6. 8	125	100	50	19	40	6×6	15.5	80	10	165	175	165	130	200	0	3.5	4-Φ12	220	145	295		
90S		140	100	56	24	50		20	90		180	195	160	130	200				250	155	320		
90L		125					8×7														345		
100L		160		63	28	60		24	100			205	215	215	180	250						270	180
112M		190	140	70				112		12	230	240									300	190	400
132S		216	178	89	38	80	10×8	33	132		270	275	265	230	300		4	4-Φ15	345	210	470		
132M																							

160M		254	210	108	42		12×8	37	160		320	330			350			420	255	615	
160L			254							15										670	
180M			241	121	48	110							300	250				4-Φ19		700	
180L		279	279				14×9	42.5	180		355	380			350				280	740	
200L		318	305	133	55		16×10	49	200		395	420	350	300	400				505	770	
225S	4.8		286		60	140	18×11			19									305	815	
225M	2	356	311	149	55	110	16×10		225		435	470	400	350	450				560	820	
	4.6.8				60		18×11												335	845	
250M	2	406	349	168			18×11		250		490	510							615	910	
	4.6.8				65																
280S	2		368			140	18×11	58		24			500	450	550				680	410	
	4.6.8	457		190	75		20×12	67.5			550	580								985	
280M	2		419		65		18×11	58	280												
	4.6.8				75		20×12	67.5													1035
315S	2		406		65		18×11	58													1160
	4.6.8.10				80	170	22×14	71													1270
315M	2	508	457	216	65	140	18×11	58	315		635	645	600	550	660				845	530	1190
	4.6.8.10				80	170	22×14	71													1300
315L	2		508		65	140	18×11	58		28											1190
	4.6.8.10				80	170	22×14	71													1300
355M	2		560		75	140	20×16	67.5													1500
	4.6.8.10	610		254	95	170	25×18	86	355		730	710	740	680	800				1010	655	1530
355L	2		630		75	140	20×16	67.5													1500
	4.6.8.10				95	170	25×18	86													1530

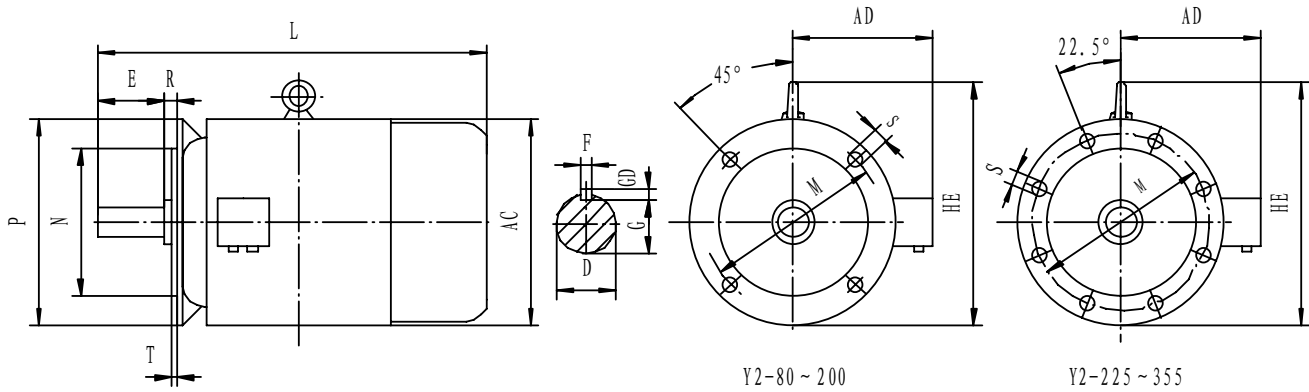
Y2 (IMV1)



Mounting Type IMV1 Frame without feet, endshield with flange & shaft extension downward of motor

Type	No. of Poles	Dimensions (mm)																									
		D	E	M	N	F×GD	G	P	R	S	T	AC	AD	HE	LA	L											
180M	2. 4. 6. 8	48	110	300	250	14×9	42.5	350	0	4-Φ19	5	380	280	500	18	760											
180L		55		350	300	16×10	49	400				420	305	550	18	840											
200L		60		400	350	18×11	53	450				470	335	610	20	905											
225S	4. 8	60	140	500	450	18×11	53	550		0	8-Φ19	5	510	370	650	22	1015										
225M	2	55																400	350	16×10	49	450	470	335	610	20	910
	4. 6. 8	60																500	450	18×11	53	550	510	370	650	22	1015
250M	2	65	500	450	18×11	58	550	580			410	720	20	1110													
280S	2	75													500	450	20×12	67.5	550	580	410	720	20	1110			
	4. 6. 8	65	500	450	18×11	58	550	580			410	720	20	1150													
280M	2	75													500	450	20×12	71	550	580	410	720	20	1150			
	4. 6. 8	65	500	450	18×11	58	550	580			410	720	20	1150													
315S	2	65													600	550	18×11	58	660	645	530	900	24	1280			
	4. 6. 8. 10	80	170	550	22×14	71	660	645			530	900	24	15110													
315M	2	65	600												550	18×11	58	660	645	530	900	24	1310				
	4. 6. 8. 10	80		170	550	22×14	71	660			645	530	900	24										1430			
355L	2	65	600	550					18×11						58	660	645	530	900	24	1310						
	4. 6. 8. 10	80			170	550	22×14	71			660	645	530	900								24	1430				
355M	2	75	740	680	20×12				67.5						800	710	655	1010	28	1640							
	4. 6. 8. 10	95				170	680	25×14		86	800	710	655	1010							28	1670					
355L	2	75	740	680	20×12	67.5			800						710	655	1010	28	1640								
	4. 6. 8. 10	95					170	680		25×14	86	800	710	655						1010	28	1670					

Y2 (IMB5)



Mounting Type IMB5 Frame without feet, endshield with flange of motor (H80-160 Include V1, V3)

Type	No. of Poles	Dimensions (mm)															
		D	E	M	N	F×GD	G	P	R	S	T	AD	AC	HE	L		
80	2, 4, 6, 8	19	40	165	130	6×6	15.5	200	0	4-φ12	3.5	145	175	185	295		
90S		24	50			8×7	20					155	195	195	320		
90L														345			
100L		28	60	215	180	10×8	33	300		4-φ15	4	180	215	245	385		
112M												190	240	265	400		
132S		38	80	265	230							210	275	315	470		
132M						12×8	37	350		4-φ19	5	255	330	385	615		
160M		42	110	300	250							265	315	370	670		
160L																	
180M		48										14×9	42.5	280	380	430	700
180L																	740
200L		55										16×10	49	305	420	480	770
225S	4, 8	60				140	400	350	18×11	53	8-φ19	5	335	470	535	815	
225M	2	55	110	16×10	49	450							820				
	4, 6, 8	60		53									845				
250M	2	140	500	450	18×11	58	550	8-φ19	5	370	510	595	910				
	4, 6, 8									65							
280S	2									75	20×12	67.5	410	580	650	985	
	4, 6, 8									75	18×11	58					
280M	2	65	20×12	67.5	550	58	550	8-φ19	5	410	580	650	1035				
	4, 6, 8	75															